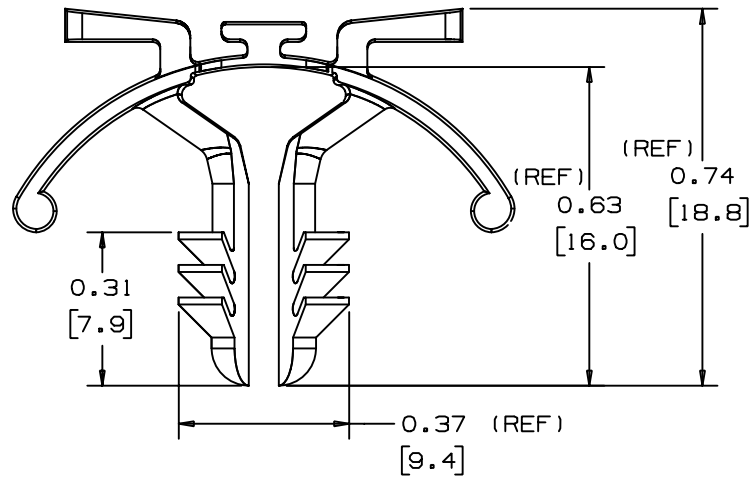
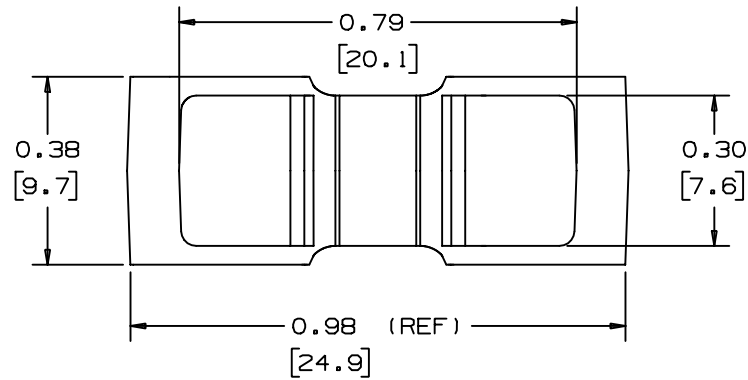


THIS COPY IS PROVIDED ON A RESTRICTED BASIS AND IS NOT TO BE USED IN ANY WAY DETRIMENTAL TO THE INTERESTS OF PANDUIT CORP.



* PANDUIT PART NO.	LBS WEIGHT (g) /100 PCS.	RECOMMENDED HOLE SIZE IN. (mm)	RECOMMENDED PANEL THICKNESS IN. (mm)
THMISC	0.154 (70)	0.250 ±0.010 (6.5 ±0.25)	0.036 - 0.135 (0.9 - 3.4)

NOTES:

- \* 1. SEE PART NUMBER SUFFIX DESIGNATION ON CURRENT PRICE SHEET FOR PACKAGE SIZE , PART COLOR AND PART MATERIAL.

DIMENSIONS IN BRACKETS ARE METRIC [ mm ]

CAD FILENAME/LAYERS

G00299BA\_PB\_THMISC\_05



CORP. TINLEY PARK, ILLINOIS

THMISC  
TIE HARNESS MOUNT

UNLESS OTHERWISE SPECIFIED,  
DIMENSIONAL TOLERANCES ARE:  
(.X) ±0.05 (1.3) (.XXX) ±0.010 (0.25)  
(.XX) ±0.02 (0.5) ANGLES ± 5°

UNLESS OTHERWISE SPECIFIED,  
ALL DIMENSIONS ARE GIVEN  
IN INCHES, THIRD ANGLE PROJECTION.

DRAWN BY JRL

MAT'L:

SCALE 3X

DATE 11-30-92

NYLON 6/6

DRAWING NO.

G00299BA

DWG  
A  
SIZE

REV	DATE	BY	CHK	DESCRIPTION	ECN	R	CUST	SUP	O.C.
5	6/28/01	LGG		ADDED REF AND UPDATED FOR WEB	G00299BA	5			
4	6/13/00	JAD		DIMENSIONS CHANGE: .74 WAS .75, .63 WAS .64 ADDED REF TO .37 AND .98 DIM'S	G00299BA	4			
3	8-4-99	CGSM		CHANGED DIM FROM .34 TO .37	G00299BA	3			
2	11/4/93	STR		CHANGED DWG. TO MATCH MOLDED PART	G00299BA	2			
1	12/22/92	MJK		ADDED OVERALL HEIGHT DIM. (.73)	G00299BA	1			
R	11/30/92	JRL		INITIAL RELEASE	G00299BA	R			